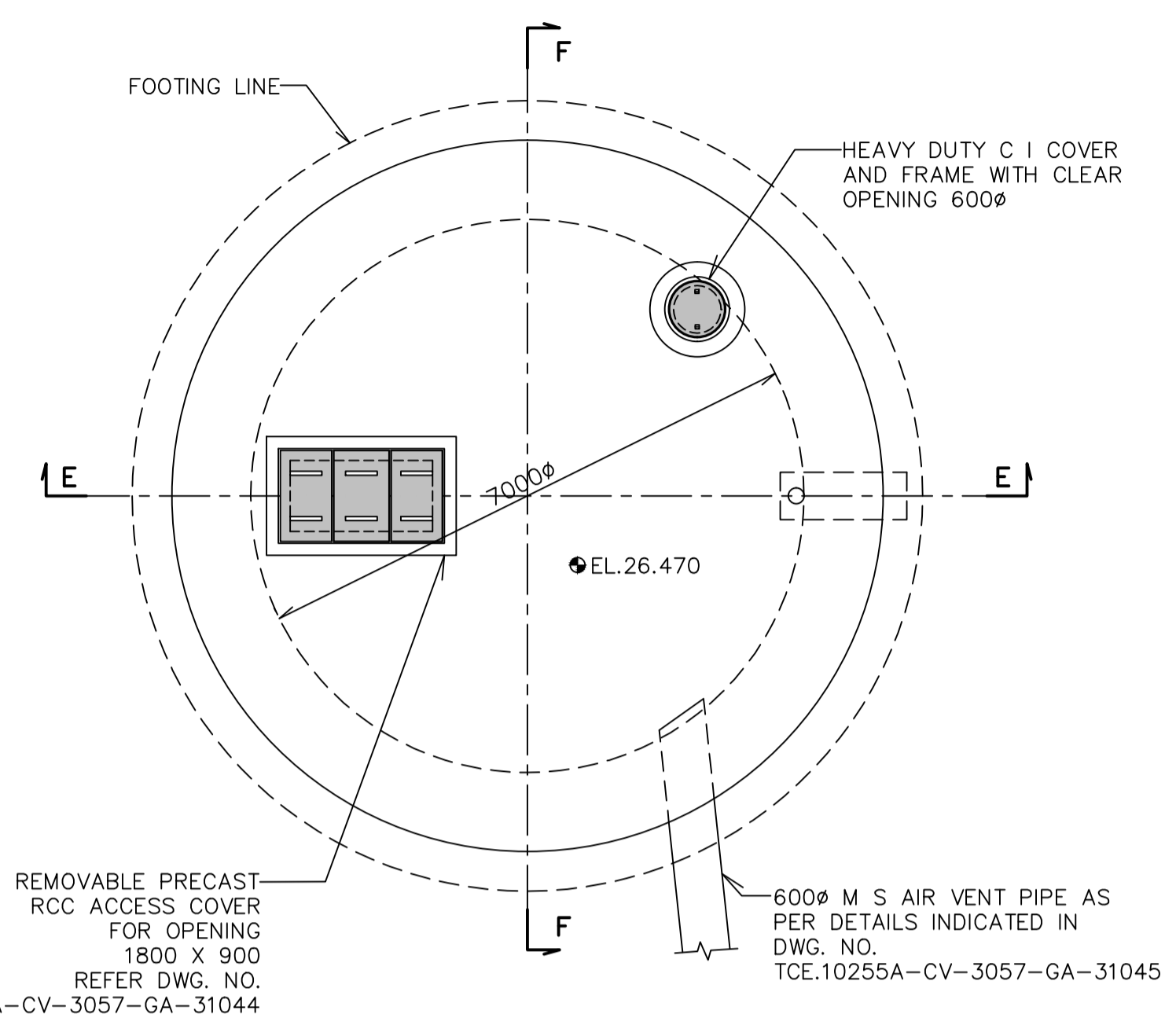
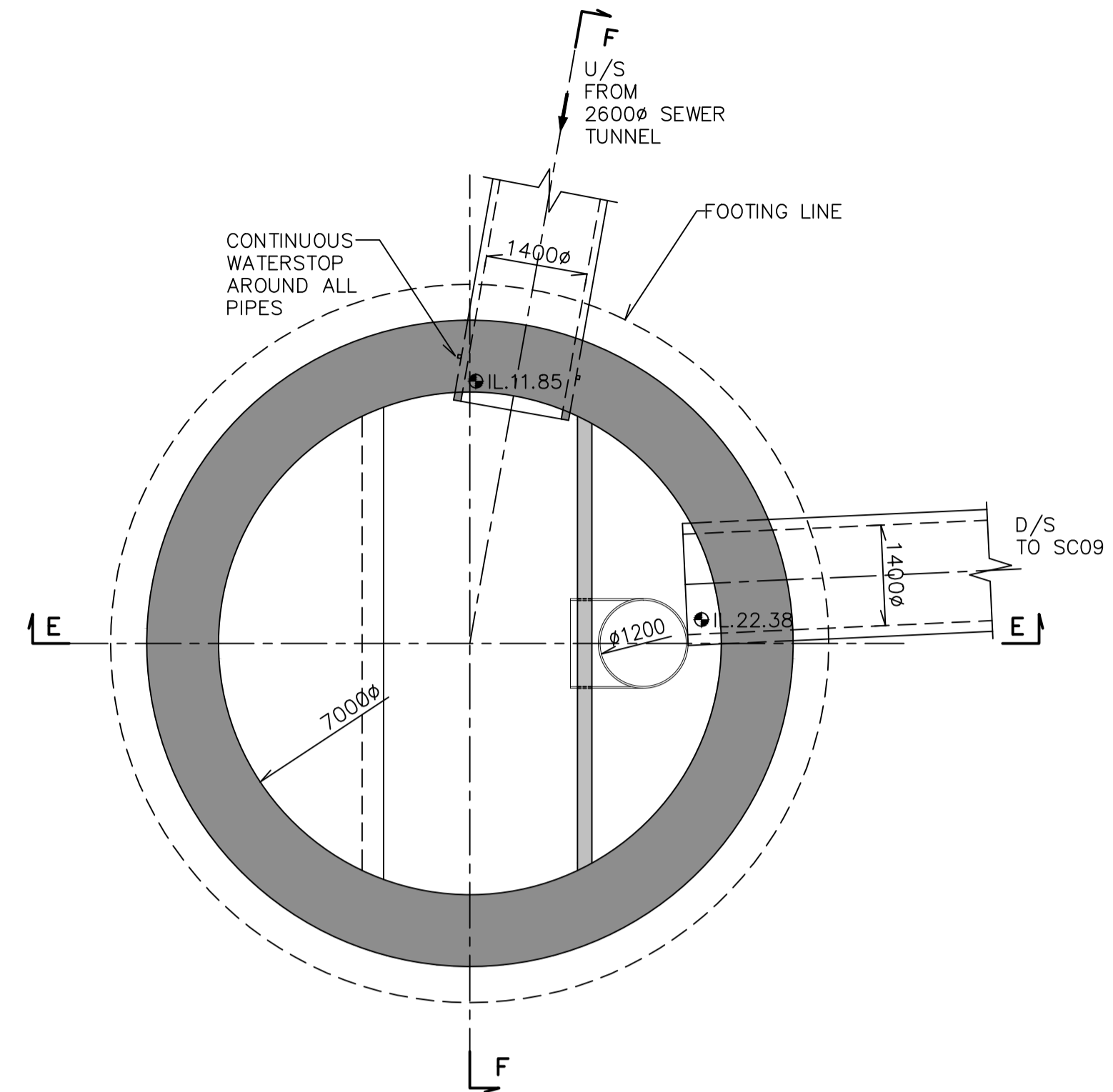


NOTES:

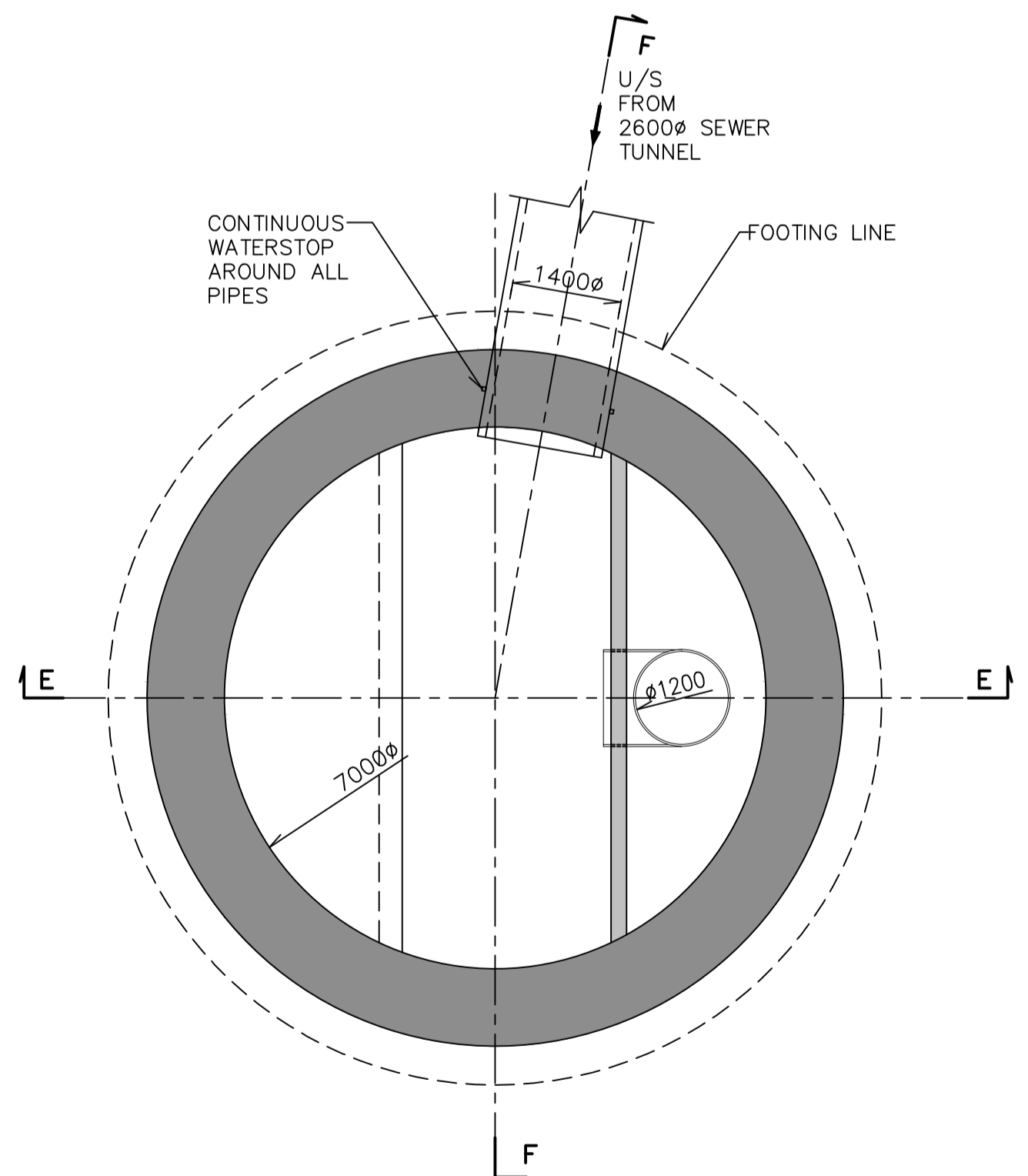
1. ALL DIMENSIONS ARE IN MILLIMETERS AND LEVELS ARE IN METERS UNLESS OTHERWISE INDICATED.
2. ALL CONCRETE TO BE GRADE M50 EXCEPT WHERE OTHERWISE STATED.
3. SHAFTS ARE TO BE MADE WATER TIGHT.
4. SEWER GRADIENTS TO BE MAINTAINED ACROSS MANHOLE.
5. DIMENSIONS OF PERMANENT STRUCTURAL WORKS SHOWN ARE INDICATIVE. THE CONTRACTOR SHALL DESIGN THE PERMANENT STRUCTURAL WORKS TO THE APPROVAL OF THE ENGINEER, TO SUIT THE CONTRACTOR'S METHOD OF WORKING AND TEMPORARY WORKS. CONTRACTOR TO SUBMIT CONSTRUCTION METHODOLOGY OF TEMPORARY AND PERMANENT WORKS TO THE APPROVAL OF THE ENGINEER.
6. SHAFT INTERNAL DIAMETER GIVEN IS THE MINIMUM TO BE PROVIDED.
7. FINISHED GROUND LEVEL TO MATCH EXISTING ROAD LEVEL.
8. CONTRACTOR TO CONFIRM DROP STRUCTURE DIMENSIONS FOLLOWING PHYSICAL MODELING OF THE DROP SHAFT.
9. INVERT LEVELS MAY VARY SLIGHTLY DURING EXECUTION.



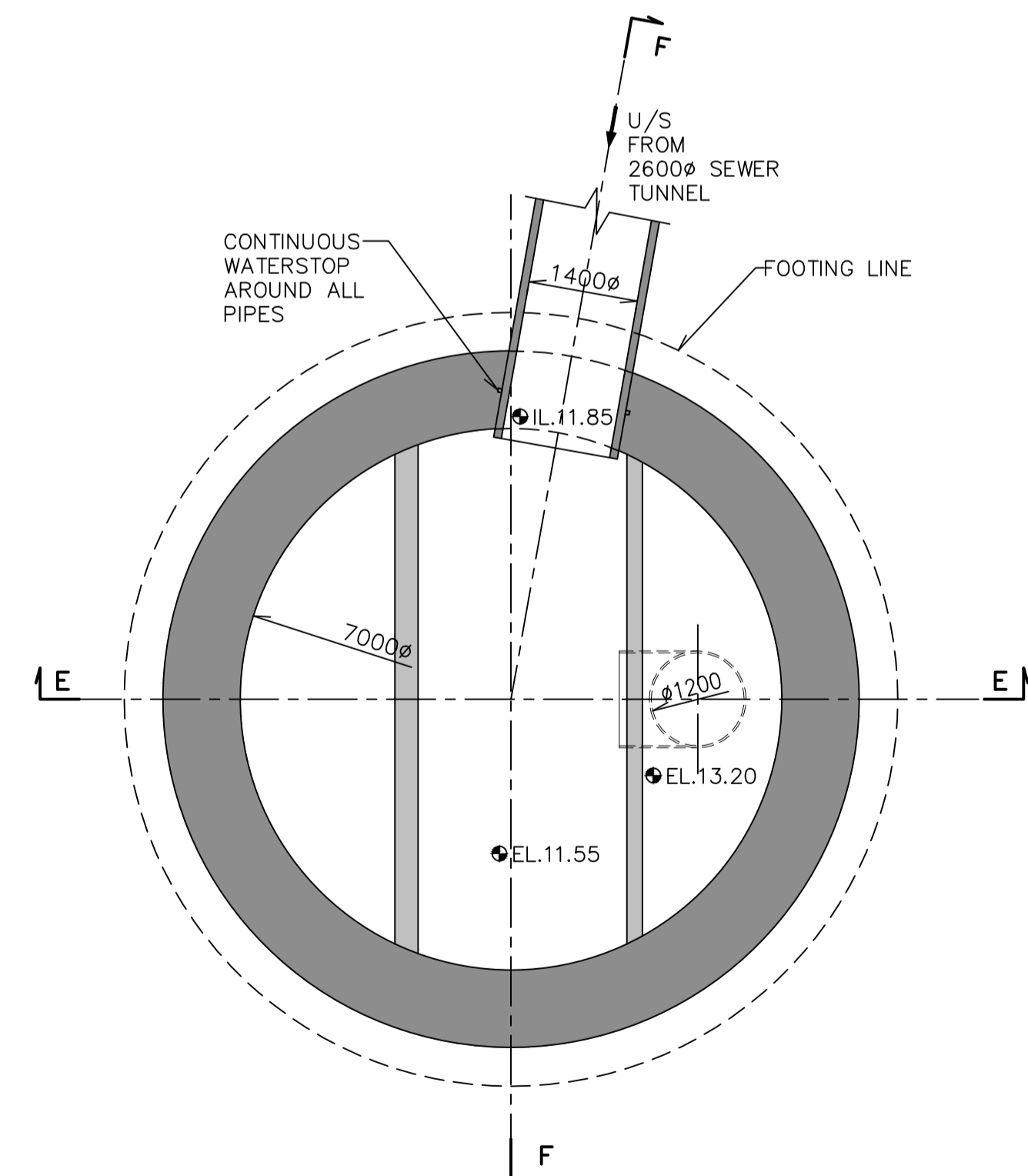
SECTIONAL PLAN A-A  
1:75



SECTIONAL PLAN B-B  
1:75



SECTIONAL PLAN C-C  
1:75



SECTIONAL PLAN D-D  
1:75

TENDER PURPOSE ONLY  
SCALE AS SHOWN

'P' (PRELIMINARY) ISSUES ARE NOT TO BE USED FOR CONSTRUCTION / FABRICATION BUT ARE ISSUED FOR LIMITED PURPOSES ONLY AS INDICATED IN THE SMALL BLOCK ABOVE THIS BLOCK.  
 CONSTRUCTION / FABRICATION WORK IS PERMITTED ONLY ON 'RELEASED' ISSUES ONLY.  
 INFORMATION CONTAINED WITHIN 'HOLD' IS NOT RELEASED FOR CONSTRUCTION / FABRICATION. FIELD MUST GET DESIGN OFFICE TO CLEAR 'HOLDS' IN TIME BEFORE PROCEEDING WITH ANY CONSTRUCTION / FABRICATION WORK RELATED TO 'HOLDS'.  
 Proprietary rights of the information contained herein belong to TCE. This information is intended to be used for the mentioned purpose/project only. In case of misuse of information and any claim arising thereof, cost and consequence will be on the party misusing the information.  
 FILE NAME : TCE.10255A-CV-3057-GA-31032

SIGN.	MUMBAI SEWAGE DISPOSAL PROJECT STAGE II-PRIORITY WORKS								
	DRN	DSN	CHD	CV	EL	IC	ME	PE/PM	APPD
INITIALS									
REVISIONS									
SIGN.									
INITIALS									
REVISIONS									
SIGN.									
INITIALS									
REVISIONS									
SIGN.									
INITIALS									
REVISIONS									
P1	MMS	CB	CB	CB			AR	SVP	SVP
INITIALS									
REVISIONS									
P0	MMS	CB	CB	CB			AR	SVP	SVP
INITIALS									
REVISIONS									
ISSUE									
DRN									
DSN									
CHD									
CV									
EL									
IC									
ME									
PE/PM									
APPD									
DATE									

MUNICIPAL CORPORATION OF GREATER MUMBAI  
 MUMBAI SEWAGE DISPOSAL PROJECT STAGE II-PRIORITY WORKS  
 PRIORITY SEWER TUNNEL - PHASE 2 (PST II)  
 GENERAL ARRANGEMENT  
 SHAFT-DS09 (SECTIONAL PLAN)

